

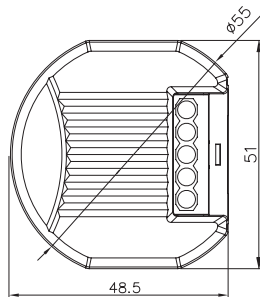
# DALI TRAILING EDGE DIMMER HDD2200

## Installation and Instruction Manual

For use in upgrade retrofit of trailing edge phase dimming controls, this dimmer will convert DALI control signals to the trailing edge drivers or transformers.

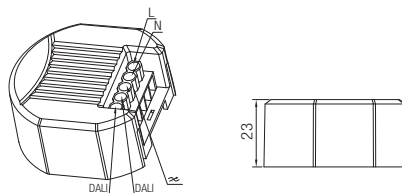
### 1. Product description

- Trailing edge dimmer
- Input: DALI, L, N
- Installation in box 60mm or stand alone installation
- Over-heat protection
- Over-load protection



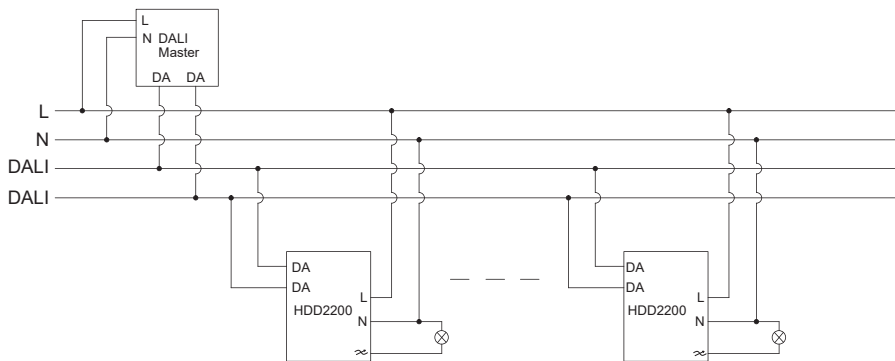
### 2. Technical Specifications

Product type :	DALI trailing edge dimmer
Operating voltage:	230/240VAC 50Hz
Rated load:	200W
Power consumption:	≤ 0.5W
DALI power:	2mA
Operating temperature:	-20°C ~+50°C
Safety Standard:	EN60669-1, EN60669-2-1
DALI standard:	EN62386-101; 102; 205



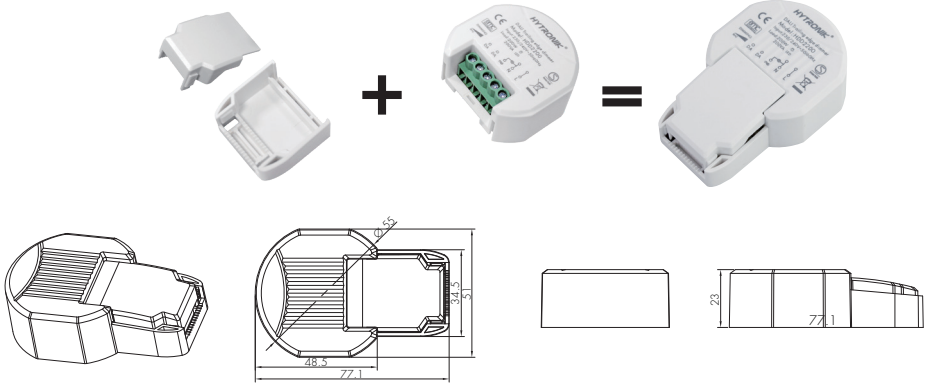
Dimensions(mm)

### 3. Wiring Diagram



1. 200 metres (total) max. for 1mm<sup>2</sup> CSA (Ta = 50°C)
2. 300 metres (total) max. for 1.5mm<sup>2</sup> CSA (Ta = 50°C)

## Optional Accessory : Strain-relief clip



### Note:

The current version product has done the test with the Tridonic gateway/DALI master and working properly. However, it might have a potential risk of compatibility issues with 3rd party DALI gateways or DALI masters, Hytronik cannot guarantee it will be fully compatible with all the 3rd party DALI gateways or DALI masters. Therefore, before a mass quantity order has been placed, customers need to make a full compatibility test between these products and their own 3rd party DALI gateways or DALI masters to make sure the product is working properly and no such compatibility issue. Otherwise, the potential compatibility risk and responsibility shall be taken by the customers themselves. Hytronik's Guarantee policy will not be applied to this.