

Installation and Instruction Manual

HYTRONIK®

Multi-Directional PIR Sensor On/Off Control

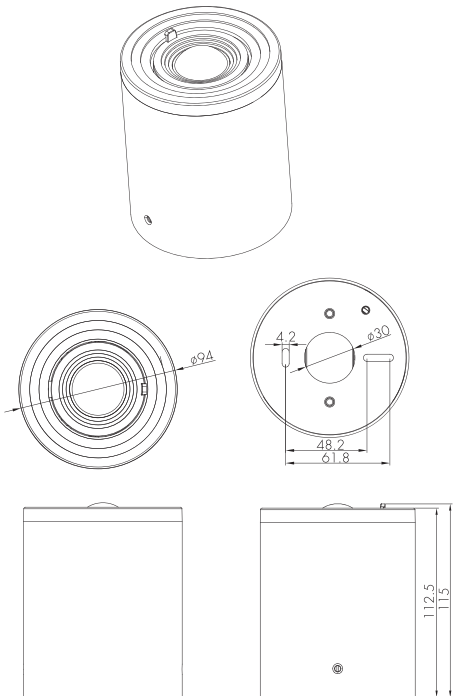
HIR28/AA

1. Technical Specifications

Operating voltage	220~240VAC 50/60Hz
Stand-by power	< 0.5W
Output (Max.Loading)	400VA capacitive 800W resistive
Sensor principle	PIR Detection
Ceiling-mounted	Installation Height : 3m Max. Detection Range : 15m *Sensor head angle set to 70°
Wall-mounted	Installation Height : 2.5m Max. Detection Range : 13m
Detection angle	360°
Operation temperature	Ta: -20°C ~ +50°C
IP rating	IP20

2. Installation

Mechanical Structure & Dimensions



- Lock the base onto the ceiling(or wall) with screws in advance, and lead out the power cord through the circular hole in the middle.
- Take out the grounding screw and connect the ground wire, then use the screw to lock it tightly.

Connect the corresponding functional wires in the control module.
- After organizing the power cord, align the controller module with the screw holes on both sides of the base and secure it with screws.

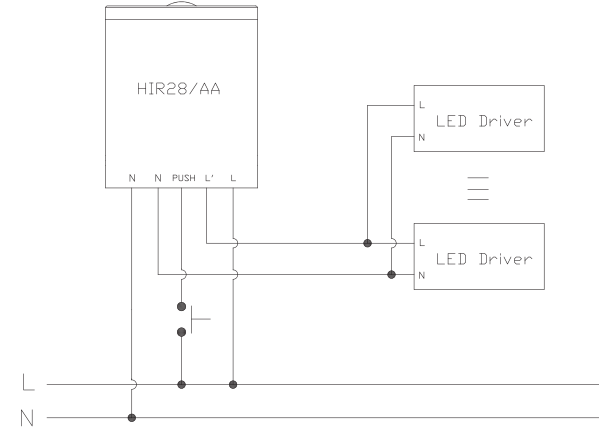
Note: This side of the controller module needs to be in the same direction as the upper pore.
- Connect to the RJ12 cable.
- Last, align the screw holes on both sides to tighten the screws. Installation completed.
- The detection angle is adjustable by pulling here.

360°
Around 70°

HYTRONIK®

Wiring Diagram

Note: It is recommended that the wiring length be > 100mm for installation convenience.



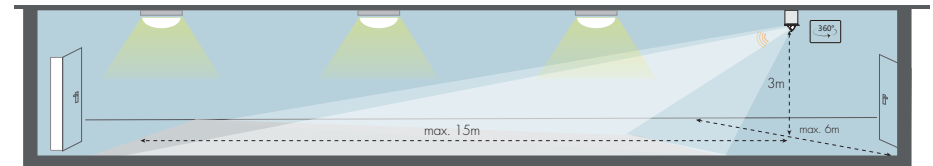
— This product should be installed by a qualified electrician.

3. Detection Pattern

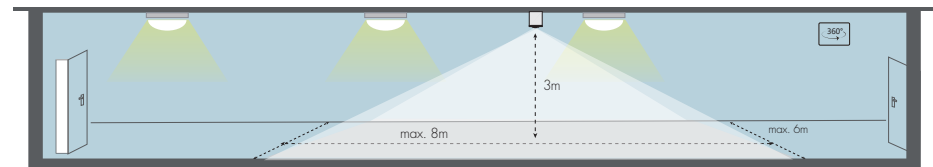
Sensitivity set to maximum

Ceiling-mounted application

Installation height: 3m
* Sensor head angle set to 70°

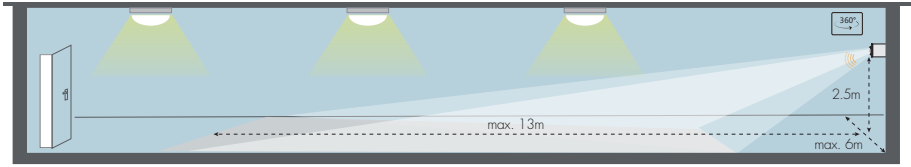


Installation height: 6m
* Sensor head angle set to 90°



HYTRONIK®

Wall-mounted application



4. Settings (Remote Control HRC-12)

ON / OFF Permanent ON/OFF function

Press button "ON/OFF" to select permanent ON or permanent OFF mode.
 * Press button "AUTO", "RESET" or "Ambient" to quit this mode.
 The mode will change to AUTO Mode after power failure.

RESET Reset Settings

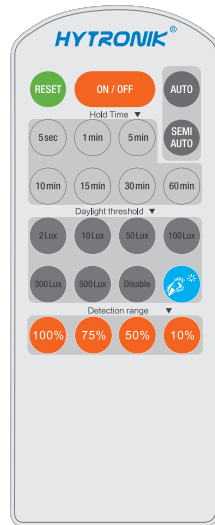
Press button "RESET", all settings go back to default values as below:
 Detection range: 100%; Hold-time: 5min; Lux disabled

AUTO Sensor mode

Press "Auto Mode" button, the sensor starts to function and all settings remain the same as the latest status before the light is switched on/off.

SEMI-AUTO mode

Press "SEMI-AUTO" button, to enter semi-auto mode. The fixture is manually on by push-switch and automatically off in this mode.



HRC-12

Detection range

Press buttons in zone "Detection range" to set detection range at 100% / 75% / 50% / 10%.

Daylight threshold

Press buttons in zone "Daylight threshold" to set daylight sensor at 2lux / 10lux / 50lux / 100lux / 300lux / 500lux / Disable.

Ambient daylight threshold

Press button "Ambient", the surrounding lux level is sampled and set as the new daylight threshold.

Hold-time

Press buttons in zone "hold-time" to set the hold-time at 5sec / 1min / 5min / 10min / 15min / 30min / 60min.

Note: 1. 5sec is test mode.

2. Press button 30min / 60min, the actual setting is 25min.

Dimming Interface Operation Notes

Switch-Dim

The provided Switch-Dim interface allows for a simple dimming method using commercially available non-latching (momentary) wall switches.

Switch Function	Action	
Push switch	Short press (<1 second) * Short press has to be longer than 0.1s, or it will be invalid.	<ul style="list-style-type: none"> - Turn on/off - Turn on only - Turn off only - Recall a scene - Quit manual mode - Do nothing
	Long press (≥1 second)	

Additional Information / Documents

- Regarding precautions for PIR Sensors installation and operation, please kindly refer to www.hytronik.com/download->knowledge->PIR Sensors - Precautions for Product Installation and Operation
- Regarding Hytronik standard guarantee policy, please refer to www.hytronik.com/download->knowledge->Hytronik Standard Guarantee Policy