

### 1. Technical Specifications

Product type	Bluetooth® Switch (Flush mount)
Mains voltage	220-240VAC 50/60Hz
Stand-by power	<0.5W
Operation frequency	2.4 GHz - 2.483 GHz
Transmission power	4 dBm
Range (Typical)	10 ~ 30m
Protocol	Bluetooth® 5.0 SIG Mesh
Operation temperature	Ta: -20°C ~ +50°C
Case temperature (Max.)	Tc: +75°C
Storage temperature	-40°C ~ +70°C
Max. relative humidity	10 ~ 90%
IP rating	IP20
Impulse withstand voltage	2.5kV
Duty type	S1
Insulation material	PTI material group IIIa
Glow wire	level 3, 850°C
Protection	Built-in protection provide
Type of switch	Single load(single-pole disconnection)
Insulation	Class II
EMC standard (EMC)	EN55015, EN61547, EN61000-3-2, EN61000-3-3
Safety standard (LVD)	EN 61347-1, EN 61347-2-11, EN62493
RED	EN300328 EN301489-1 EN301489-17 EN50663
ROHS	ROHS compliance

### 2. Download the App

Free App for set-up and commissioning

### Bluetooth 5.0 SIG mesh



IOS



for iOS



for Android

Smartphone app for both iOS & Android platform

---





for iPad

Koolmesh Pro app for iPad

---



Web



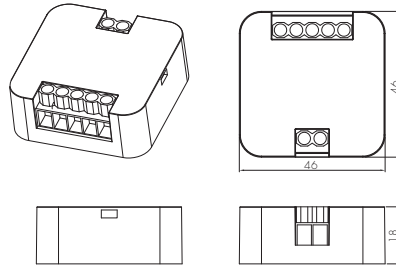
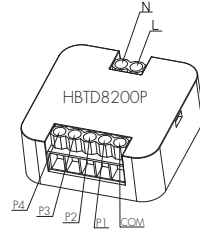
for Web

Web app/platform: [www.iot.koolmesh.com](http://www.iot.koolmesh.com)

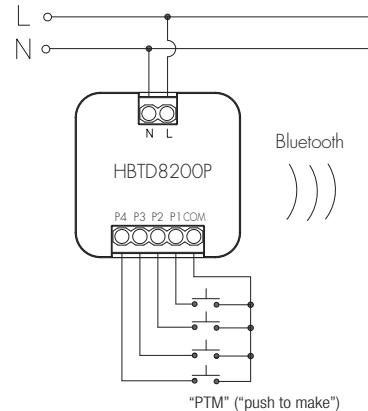
### 3. Installation

#### ⚠ Warnings:

1. Installation must be carried out by a qualified engineer in accordance with local regulations.
2. Disconnect power supply before installing.
3. Ensure environmental conditions are suitable for electronic equipment



Wiring Diagram

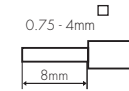


### Wire Preparation

To make or release the wire from the terminal, use a screwdriver to push down the button.



Rising clamp terminal.



#### Wiring precautions:

1. A wire diameter of 0.5-4 mm for the AC input port.
2. There is a standard wire diameter of 0.2-4mm for the PUSH port voltage (15V DC). Depending on the diameter of the wire, cable length can vary to optimize effectiveness. When connecting 0.2-0.5mm, the maximum length is 50m; when connecting 0.75-4mm, the maximum length is 100m.

### 4. Dimming Interface Operation Notes

#### Switch-Dim

The provided Switch-Dim interface allows for a simple dimming method using commercially available non-latching (momentary) wall switches. Detailed Push switch configurations can be set on Koolmesh app.

Switch Function	Action	Descriptions
Push switch	Short press (<1 second) * Short press has to be longer than 0.1s, or it will be invalid.	- Turn on/off - Recall a scene - Turn on only - Quit manual mode - Turn off only - Do nothing
	Double push	- Turn on only - Quit manual mode - Turn off only - Do nothing - Recall a scene
	Long press (≥1 second)	- Dimming - Colour tuning - Do nothing
Sensor-link (VFC signal only)	/	- Upgrade a normal on/off motion sensor to a Bluetooth controlled motion sensor
Emergency Self-Test Function	Short press (<1 second) * Short press has to be longer than 0.1s, or it will be invalid.	- Start Self test (Monthly) - Stop Self test - Start Self test (Annually) - Invalid
	Long press (≥1 second)	- Start Self test (Monthly) - Stop Self test - Start Self test (Annually) - Invalid
Fire Alarm (VFC signal only)	Refer to <b>Koolmesh</b> App User Manual V2.1	- Able to connect the Fire Alarm system - Once the fire alarm system is triggered, all the luminaries controlled by the Push Switch will enter the preset scene (normally it's full on), after the fire alarm system gives the ending signal, all the luminaries controlled by this Push Switch will revert back to normal status.

### 5. Additional Information / Documents

1. To learn more about detailed product features/functions, please refer to [www.hytronik.com/download](http://www.hytronik.com/download) ->knowledge ->Introduction of App Scenes and Product Functions
2. Regarding precautions for Bluetooth product installation and operation, please kindly refer to [www.hytronik.com/download](http://www.hytronik.com/download) ->knowledge ->Bluetooth Products - Precautions for Product Installation and Operation
3. Data sheet is subject to change without notice. Please always refer to the most recent release on [www.hytronik.com/products/bluetooth-technology](http://www.hytronik.com/products/bluetooth-technology) ->Bluetooth Sensor ->Receiver Nodes
4. Regarding Hytronik standard guarantee policy, please refer to [www.hytronik.com/download](http://www.hytronik.com/download) ->knowledge ->Hytronik Standard Guarantee Policy