

Multi-Directional PIR Sensor

HIR28/AA
On/Off control

HYTRONIK®



Product Description

HIR28/AA is a PIR standalone motion sensor, with on/off relay control. It is designed with a metal surface mount box and the detection angle is adjustable by needs. HIR28/AA is ideal for typical indoor applications such as offices, classrooms, healthcare, and other commercial areas (corridors and warehouses).



Features

- Store settings in the remote for easy commissioning when programming multiple sensors.
- 1 Push inputs for flexible manual control
- Black & White & Gray metal surface mount box option
- User-friendly design for installation
- 5-year warranty

Technical Specifications

Input & Output Characteristics

Operating voltage	220~240VAC 50/60Hz
Stand-by power	<0.5W
Output (Max. Loading)	400VA capacitive 800W resistive

Sensor Data

Sensor Principle	PIR Detection
Ceiling-mounted	Installation Height : 3m Max. Detection Range : 1.5m *Sensor head angle set to 70°
Wall-mounted	Installation Height : 2.5m Max. Detection Range : 1.3m
Detection angle	360°

* For more details of detection range, please refer to "detection pattern" section.

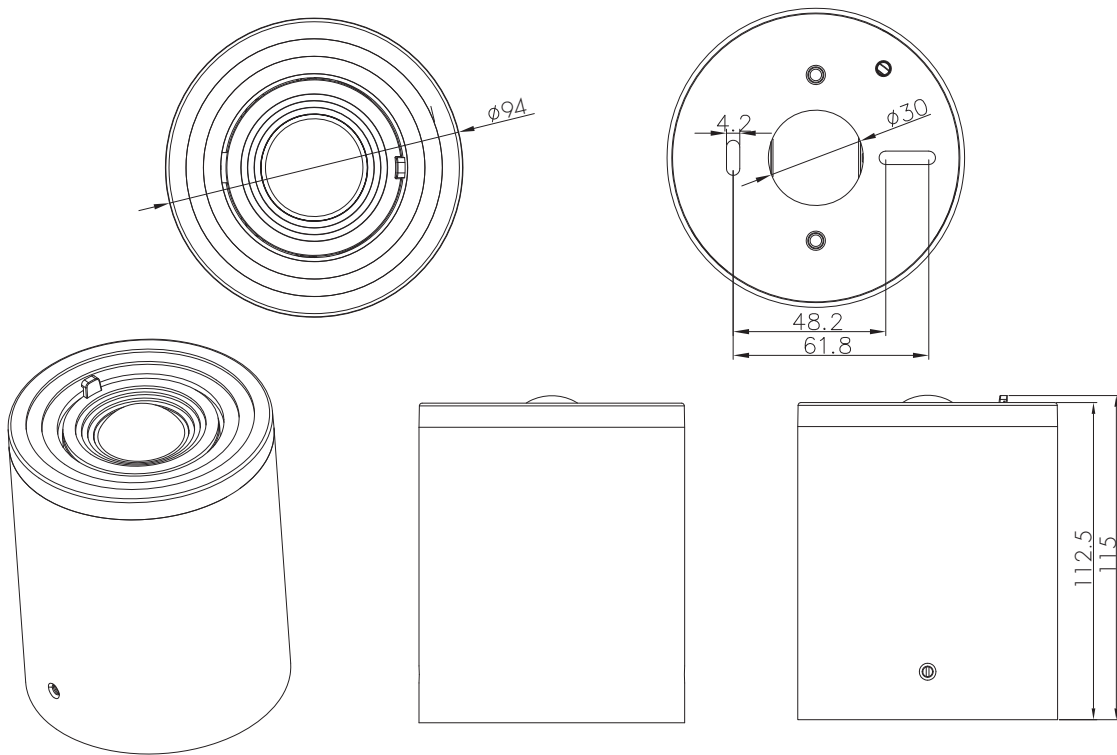
Environment

Operation temperature	Ta: -20°C ~ +50°C
Storage temperature	-35°C ~ +55°C
Relative humidity	20~90%
IP rating	IP20

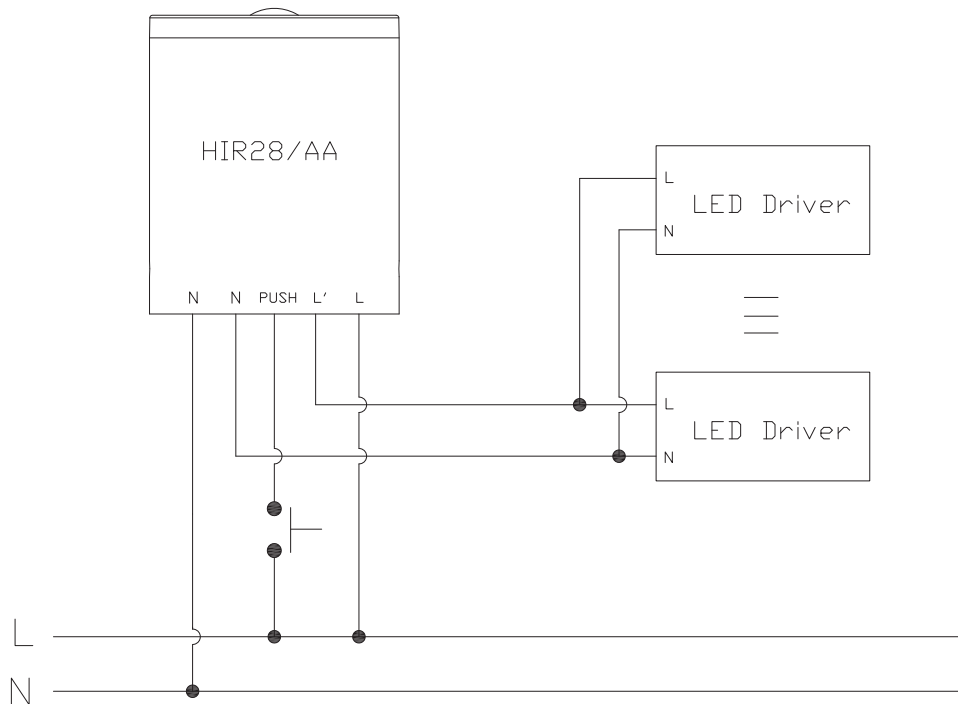
Safety & EMC

EMC standard (EMC)	EN55015, EN61000-3-2/-3-3, EN61547
Safety standard (LVD)	EN60669-1, EN60669-2-1
Certification	CE, UKCA, RCM

Mechanical Structure & Dimensions

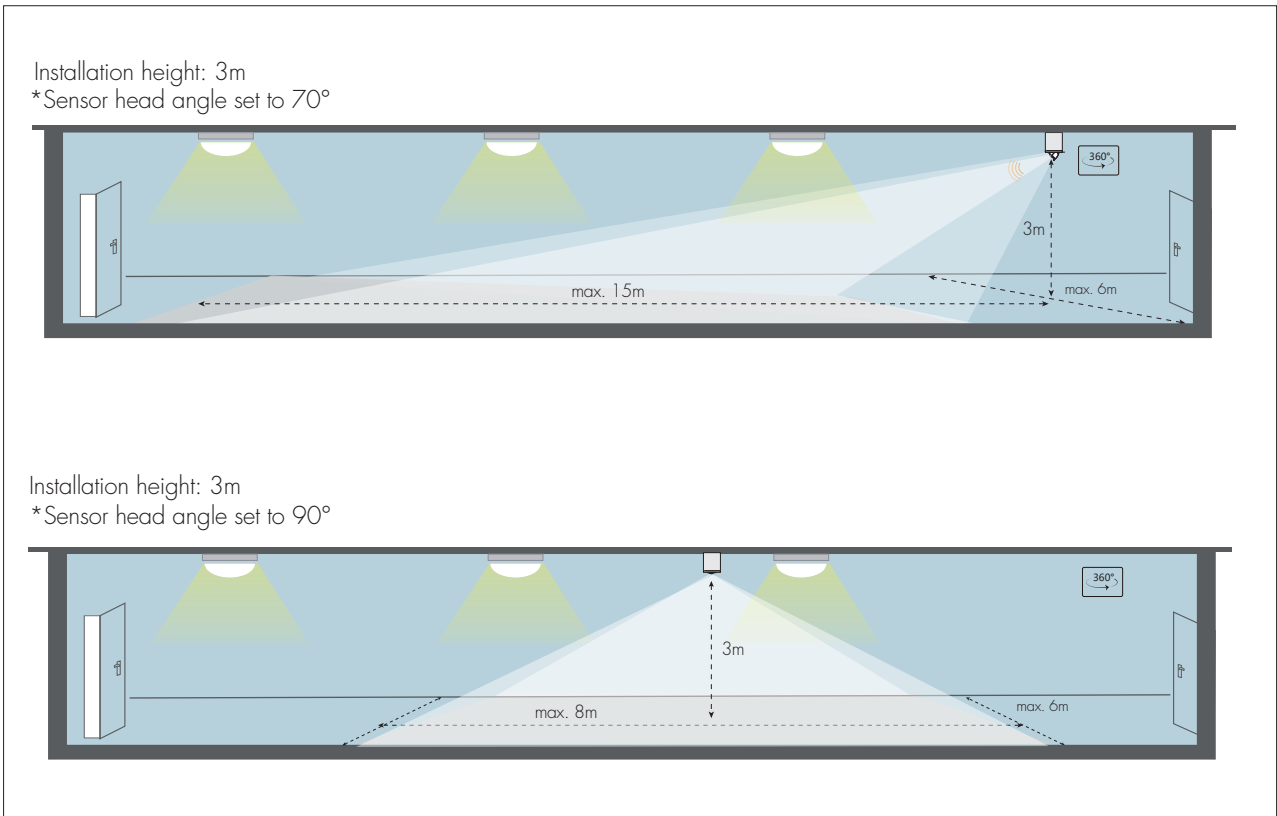


Wiring Diagram

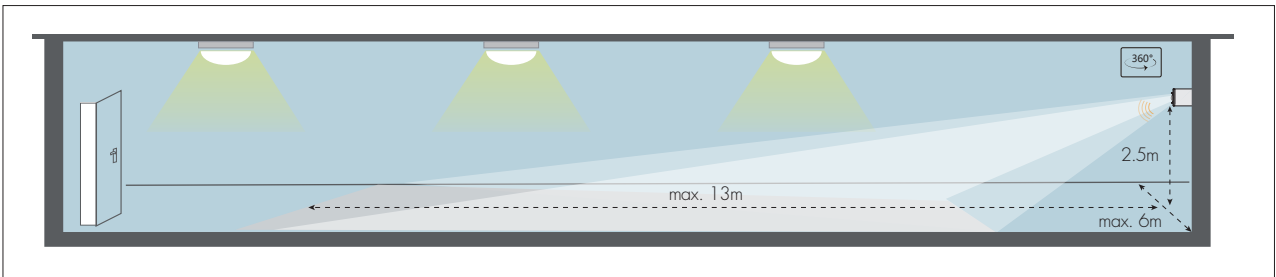


Detection Pattern
Sensitivity set to maximum

Ceiling-mounted application



Wall-mounted application



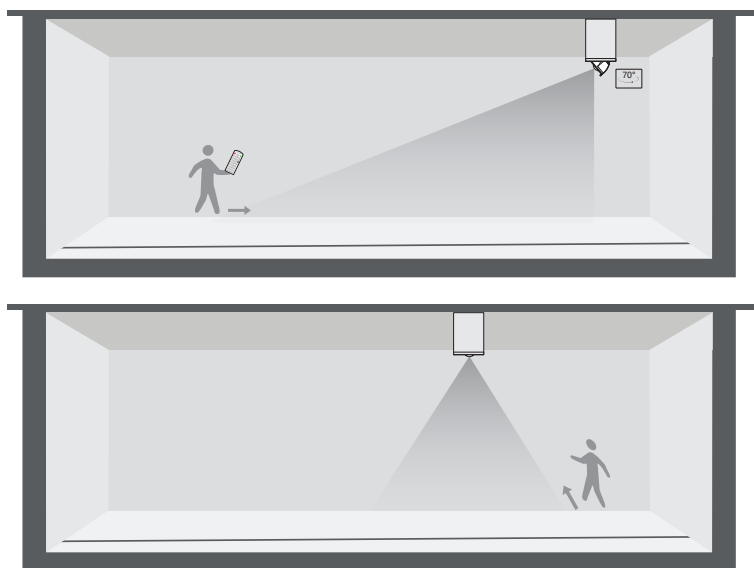
The installation data conduct by following testing conditions:

1. Environmental humidity: 85%;
2. Single person walking;
3. Sensor not connected to any driver that may have soft-on period;
4. Testing temperature $T_a = 27^{\circ}\text{C}$;
5. The testing is conducted in an open and spacious indoor field, without noticeable obstacles or influences that may affect PIR performances.

Application	Angle	Height	Tangential /Radial	Sensitivity			
				100%	75%	50%	10%
Ceiling-mounted	90°	3m	Tangential	8m	6m	5m	4m
			Radial	4m	3m	2m	1m
	Tangential		15m	11m	8m	6m	
	Radial		6m	4m	3m	2m	
	70°	6m	Tangential	10m	7m	5m	1m
			Radial	6m	1m	none	none
	Tangential		8m	6m	4m	1m	
	Radial		4m	2m	1m	none	
90°	2.5m	Tangential	13m	11m	9m	7m	
		Radial	2m	1m	1m	0m	

Note: The unit of 90 degree detection data is diameter.

Ceiling-mounted application



Wall-mounted application



Settings (Remote Control HRC-12)

ON / OFF

Permanent ON/OFF function

Press button "ON/OFF" to select permanent ON or permanent OFF mode.

* Press button "AUTO", "RESET" or "Ambient" to quit this mode.

The mode will change to AUTO Mode after power failure.

RESET

Reset Settings

Press button "RESET", all settings go back to default values as below:

Detection range: 100%; Hold-time: 5min; Lux disabled

AUTO

Sensor mode

Press "Auto Mode" button, the sensor starts to function and all settings remain the same as the latest status before the light is switched on/off.

SEMI
AUTO

SEMI-AUTO mode

Press "SEMI-AUTO" button, to enter semi-auto mode. The fixture is manually on by push-switch and automatically off in this mode.



HRC-12

Detection range

Press buttons in zone "HF sensor Detection range" to set detection range at 100% / 75% / 50% / 10%.

Daylight threshold

Press buttons in zone "Daylight threshold" to set daylight sensor at 2Lux/ 10Lux / 50Lux / 100Lux / 300Lux / 500Lux / Disable.

Ambient daylight threshold

Press button "Ambient", the surrounding lux level is sampled and set as the new daylight threshold.

Hold-time

Press buttons in zone "hold-time" to set the hold-time at 5sec / 1min / 5min / 10min / 15min / 30min / 60min.

Note: 1. 5sec is test mode.

2. Press button 30min / 60min, the actual setting is 25min.

Dimming Interface Operation Notes

Switch-Dim

The provided Switch-Dim interface allows for a simple dimming method using commercially available non-latching (momentary) wall switches.

Switch Function	Action	Descriptions
Push switch	Short press (<1 second) * Short press has to be longer than 0.1s, or it will be invalid.	- Turn on/off - Turn on only - Turn off only - Recall a scene - Quit manual mode - Do nothing
	Long press (≥1 second)	

Additional Information / Documents

1. Regarding precautions for PIR Sensors installation and operation, please kindly refer to [www.hytronik.com/download ->knowledge ->PIR Sensors - Precautions for Product Installation and Operation](http://www.hytronik.com/download->knowledge->PIR%20Sensors%20-%20Precautions%20for%20Product%20Installation%20and%20Operation)
2. Regarding Hytronik standard guarantee policy, please refer to [www.hytronik.com/download ->knowledge ->Hytronik Standard Guarantee Policy](http://www.hytronik.com/download->knowledge->Hytronik%20Standard%20Guarantee%20Policy)