

DALI Dimmer for Track System with Bluetooth® 5.0 SIG Mesh

HBTD54
DALI Output

HYTRONIK®



Product Description

HBTD54 is a Bluetooth dimming controller for the DALI track system, with 3-phase dial, DALI broadcast output and PSU integrated. The installation only requires simple insertion into the track, to achieve on/off control, dimming control, colour tuning and even scene recall. HBTD54 is suitable for the track light which used for new builds or retrofit projects to add intelligent control to standard lighting fixtures. Moreover, HBTD54 is practical and good-looking since needless wiring. All simple device setup and commissioning can be done via **Koolmesh™** app.



App Features

- Floorplan feature to simplify project planning
- Grouping luminaires via mesh network
- Scenes
- Push switch configuration
- Schedule to run scenes based on time and date
- Astro timer (sunrise and sunset)
- Device firmware update over-the-air (OTA)
- Power-on status (memory against power loss)
- Offline commissioning
- Different permission levels via authority management
- Network sharing via QR code or keycode
- Remote control via gateway support HBGW01
- Interoperability with Hytronik Bluetooth product portfolio
- Compatible with EnOcean BLE switches
- Continuous development in progress...

Hardware Features

- DALI bus power supply
I guaranteed: 80mA
I max: 100mA
U rated: 15VDC
- User-friendly design for installation
- Short-circuit protection
- Open circuit protection
- 5-year warranty

* Certain scenes which require external photocell can be achieved by using together with Hytronik Bluetooth sensors, such as HBIR29, HCD038/BT + sensor head etc.

EnOcean
Self-powered IoT



Fully support EnOcean self-powered switch module PTM215B (HBES01/W & HBES01/B)


Bluetooth 5.0 SIG mesh

Smartphone app for both iOS & Android platform

Koolmesh Pro app for iPad

Web app/platform: www.iot.koolmesh.com

Technical Specifications

Bluetooth Transceiver	
Operation frequency	2.4 GHz - 2.483 GHz
Transmission power	4 dBm
Range (Typical indoor)	10~30m
Protocol	 Bluetooth® 5.0 SIG Mesh

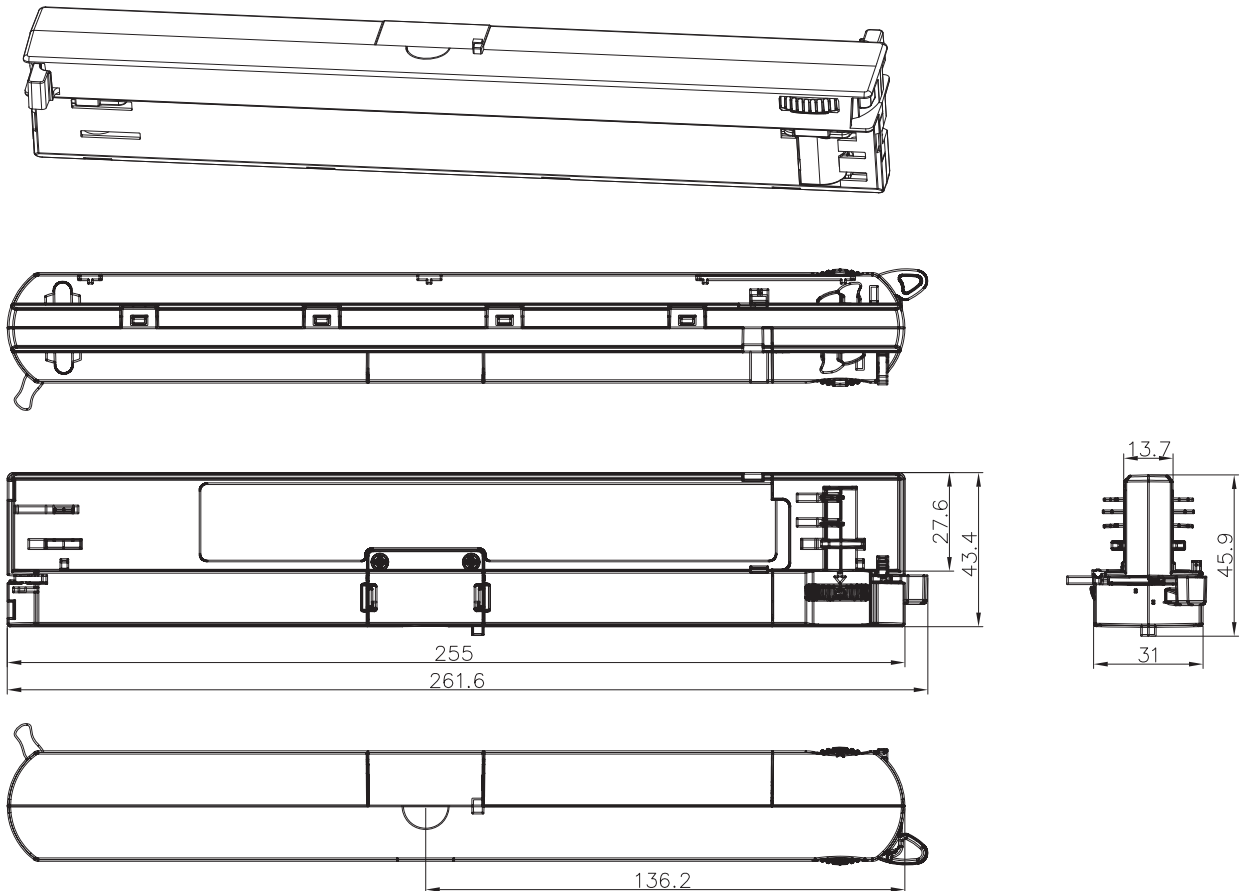
Environment	
Operation temperature	Ta: -10°C ~ +40°C
Case temperature (Max.)	Tc: +75°C
Storage temperature	-40°C ~ 70°C
Relative humidity	10 ~ 90%
IP rating	IP20
Insulation	Class II

Input & Output Characteristics	
Operating voltage:	220~240VAC 50/60Hz
Stand-by power	<0.5W

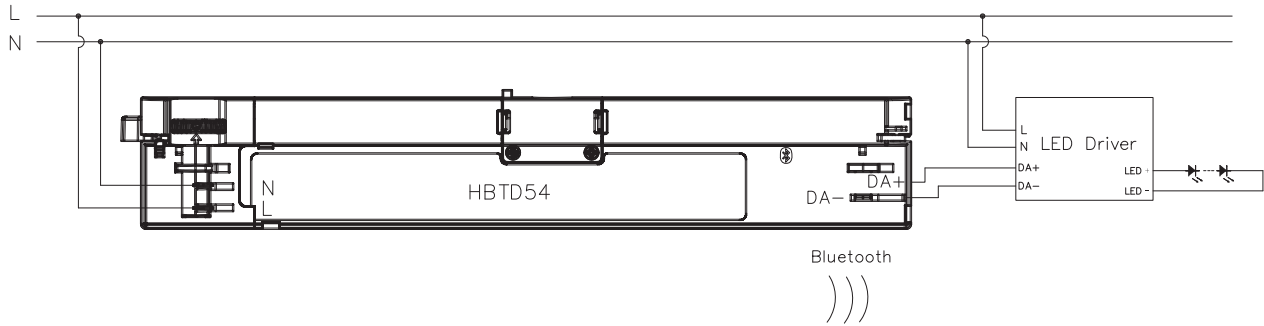
DALI bus power supply	
I guaranteed	80mA
I max	100mA
U rated	15VDC

Safety & EMC	
EMC standard (EMC)	EN55015, EN61547 EN61000-3-2/-3-3
Safety standard (LVD)	EN61347-1, EN61347-2-11
Radio Equipment (RED)	EN300 328, EN301489-1/-17, EN62479
Certification	CE, RED, RCM, UKCA

Mechanical Structure & Dimensions



Wiring Diagram



Additional Information / Documents

1. To learn more about detailed product features/functions, please refer to www.hytronik.com/download->knowledge ->Introduction of App Scenes and Product Functions
2. Regarding precautions for Bluetooth product installation and operation, please kindly refer to www.hytronik.com/download ->knowledge ->Bluetooth Products - Precautions for Product Installation and Operation
3. Data sheet is subject to change without notice. Please always refer to the most recent release on www.hytronik.com/products/bluetooth technology ->Bluetooth Dimmers
4. Regarding Hytronik standard guarantee policy, please refer to www.hytronik.com/download ->knowledge ->Hytronik Standard Guarantee Policy