

DALI PIR Motion Sensor with Bluetooth® 5.0 SIG Mesh

HCD049/BT (High-bay)

DALI/DALI-2 Bolt-on/Batten-fit PIR Sensor

HYTRONIK®



Product Description

HCD049/BT is a Bluetooth DALI/DALI-2 high-bay PIR motion sensor, with capability of up to 15m installation height. HCD049/BT has a daylight sensor built-in, and is specifically designed for mounting onto a batten style luminaire. It is also designed for professional lighting manufacturers who would like to incorporate wireless control into their luminaires. HCD049/BT is suitable for any typical indoor applications such as office, classroom, car park, warehouse and other commercial/industrial areas. With Bluetooth wireless mesh networking, it makes communication much easier without any hardwiring, which eventually adds values to luminaires and saves costs for projects. Meanwhile, simple device setup and commissioning can be done via **Koolmesh™** app.



App Features

- Quick setup mode & advanced setup mode
- Web app/platform for project deployment & data analysis
- Koolmesh Pro app on iPad for on-site configuration
- Floorplan feature to simplify project planning
- One-key device replacement
- Device social relations check
- Staircase function (primary & secondary)
- Remote control via gateway support HBGW01
- Heat map
- Dynamic daylight harvest auto-adaptation
- Grouping luminaires via mesh network
- Scenes
- Dusk/Dawn photocell (Twilight function)
- Tri-level control
- Daylight harvest
- Circadian rhythm (Human centric lighting)
- Detailed motion sensor settings
- Schedule
- Astro timer (sunrise and sunset)
- Power-on status (memory against power loss)
- Offline commissioning
- Bulk commissioning (copy and paste settings)
- Different permission levels via authority management
- Network sharing via QR code or keycode

- Compatible with EnOcean BLE switches
- Interoperability with Hytronik Bluetooth product portfolio
- Internet-of-Things (IoT) featured
- Device firmware update over-the-air (OTA)
- Continuous development in progress...

Hardware Features

- 30mA DALI Broadcast output
- IP65
- Fixing washers accessory
- High-bay (up to 15m height)
- 5-year warranty



Bluetooth 5.0 SIG mesh

HYTRONIK Koolmesh app for iOS and Android. QR codes for iOS and Android.

Smartphone app for both iOS & Android platform

Koolmesh Pro app for iPad. QR code for iPad.

Web app/platform: www.iot.koolmesh.com. QR code for Web.

Technical Specifications

Bluetooth Transceiver	
Operation frequency	2.4 GHz - 2.483 GHz
Transmission power	4 dBm
Range (Typical indoor)	10~30m
Protocol	Bluetooth® 5.0 SIG Mesh

Input & Output Characteristics	
Operating voltage	220 ~ 240VAC 50/60Hz
Stand-by power	<1W
Output	30mA, 12VDC (max. 15 devices)
Warming-up	30s

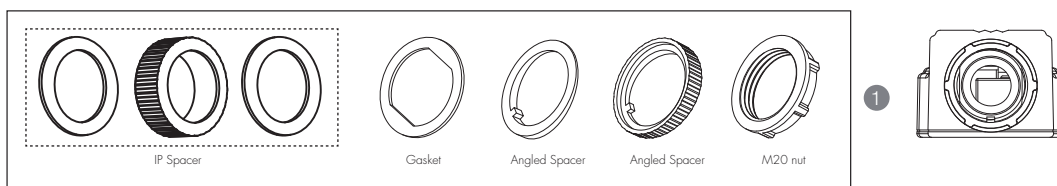
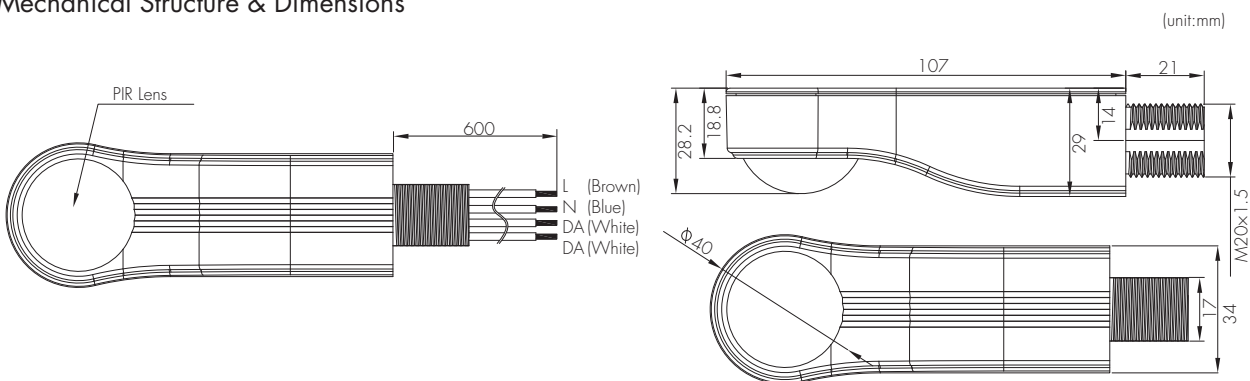
Environment	
Operation temperature	Ta: -20°C ~ +50°C
IP rating	IP65

Sensor Data	
Sensor principle	PIR detection
Detection range*	Max installation height: 15m (forklift)
	12m (single person)
	Max detection range: 16m (diameter)
Detection angle	360°

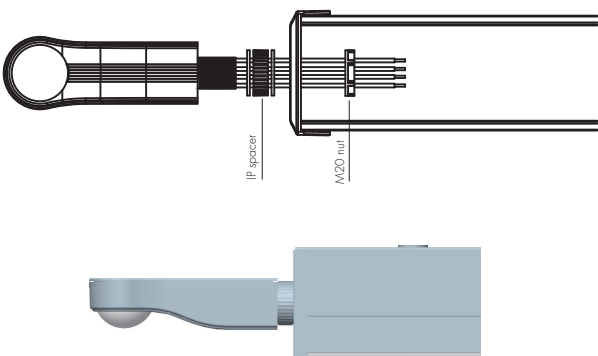
* The detection range is heavily influenced by sensor placement (angle) and different walking paces. It may be reduced under certain conditions.

Safety & EMC	
EMC standard (EMC)	EN55015, EN61547 EN61000-3-2/-3-3
Safety standard (LVD)	EN61347-1, EN61347-2-11
RED	EN300328, EN301489-1 EN301489-17
Certification	ENEC, CE, EMC, LVD, RCM

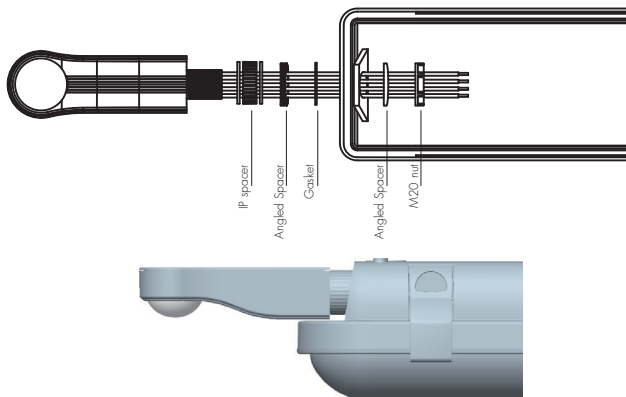
Mechanical Structure & Dimensions



Typical Installation 1

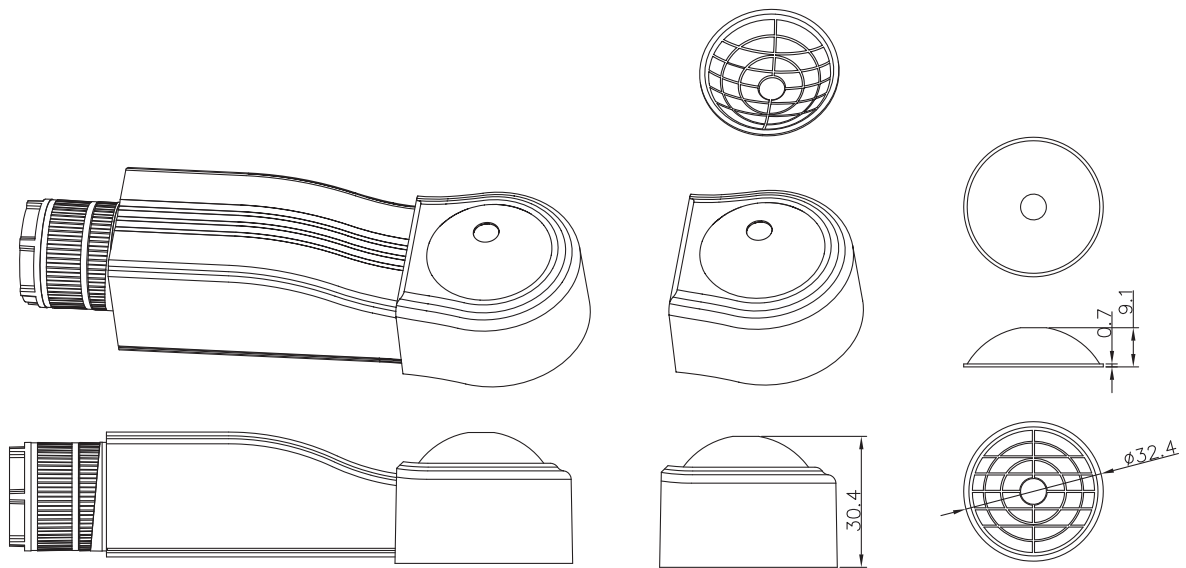


Typical Installation 2

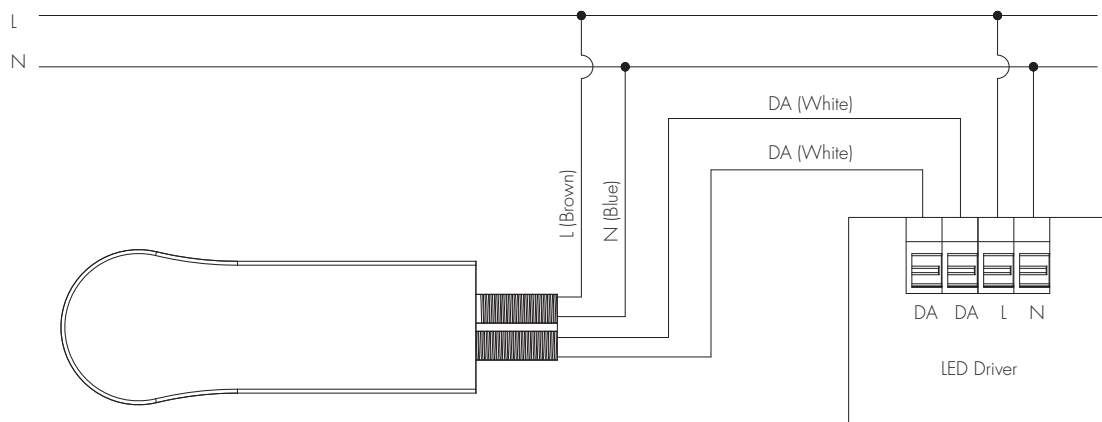


Shielding Accessory

For the application of limited coverage areas (hallways), the line pattern of the shielding accessory can be freely removed by cutting to achieve a different range of shielding induction, for example, rectangular detection and semi-sphere detection. The portable design also provides an easy installation, which only needs to buckle the shielding accessory onto the lens.



Wiring Diagram



1. 200 metres (total) max. for 1mm² CSA (Ta = 50 C)
2. 300 metres (total) max. for 1.5mm² CSA (Ta = 50 C)

