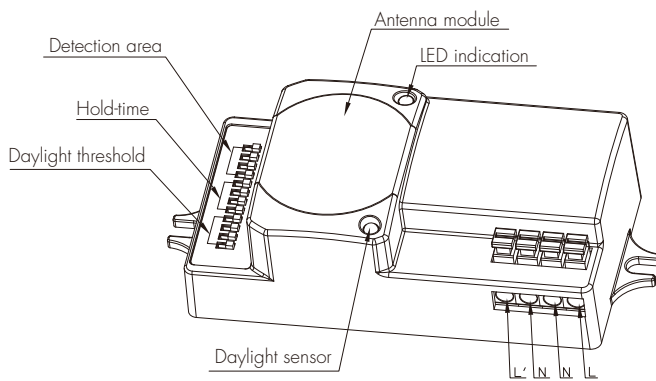
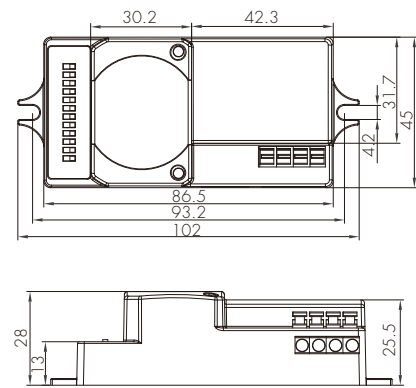


# Synchronized Version On/off Control

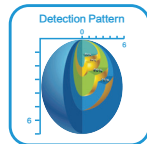
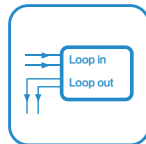
Model: HC419S



Model: HC419S (120-277Vac)

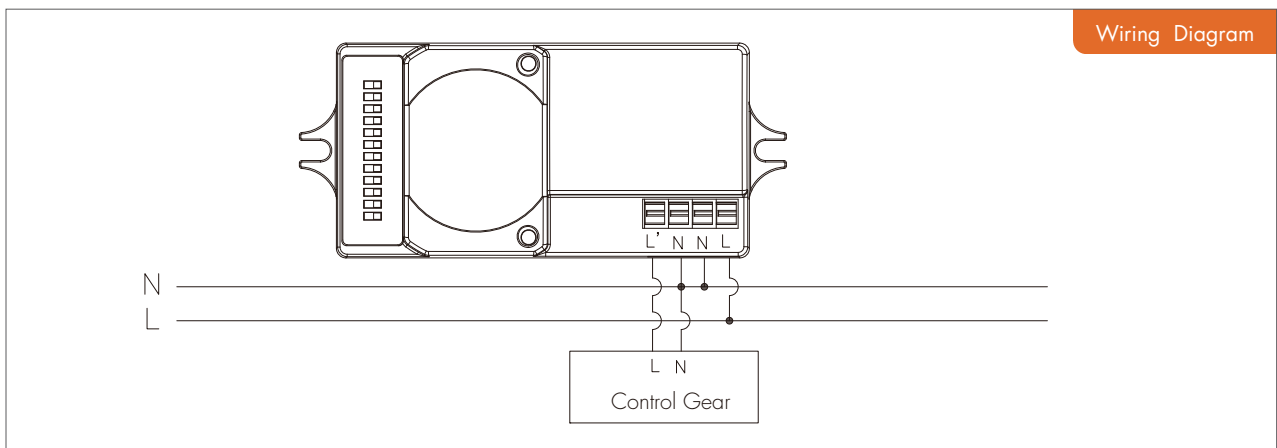


Mechanical structure (mm)

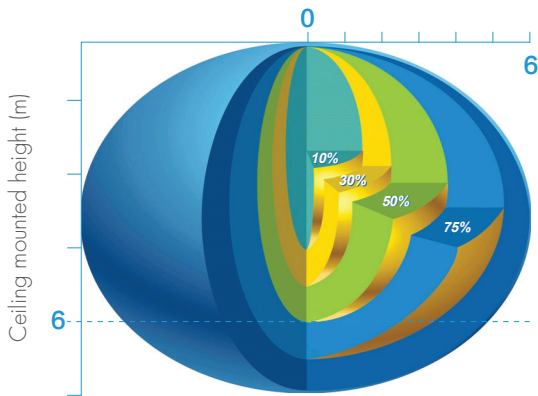


## Product Functions and Features

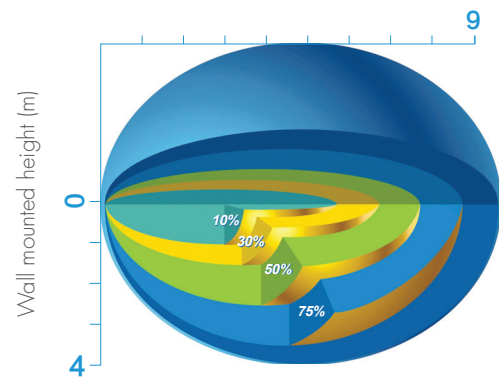
- 1 On/off function
- 2 Zero-cross relay operation
- 3 Wire loop-in and loop-out



## Detection Pattern



Ceiling mounted detection pattern (m)



Wall mounted detection pattern (m)

## Settings

### 1 Detection area

Detection area can be reduced by selecting the combination on the DIP switches to fit precisely for each specific application.

	1	2	3	4	
I	●	●	●	●	100%
II	○	●	●	●	75%
III	●	○	●	●	50%
IV	●	●	○	●	30%
V	○	○	○	○	10%

I – 100%  
II – 75%  
III – 50%  
IV – 30%  
V – 10%

### 2 Hold-time

Hold-time means the time period to keep the lamp on 100%, after all motion has ceased (detection area vacated).

	1	2	3	4	
I	●	●	●	●	5s
II	○	●	●	●	30s
III	●	○	●	●	1min
IV	●	●	○	●	5min
V	●	●	●	○	10min
VI	●	●	○	○	20min
VII	○	○	○	○	30min

I – 5s  
II – 30s  
III – 1min  
IV – 5min  
V – 10min  
VI – 20min  
VII – 30min

### 3 Daylight sensor

The daylight threshold can be set on DIP switches, to fit for particular application.

	1	2	3	4	
I	●	●	●	●	Disable
II	○	●	●	●	50Lux
III	●	○	●	●	30Lux
IV	●	●	○	●	10Lux
V	○	○	○	○	2Lux

I – Disable  
II – 50Lux  
III – 30Lux  
IV – 10Lux  
V – 2Lux

## Technical Data

Operating voltage	120-277Vac 50Hz/60Hz
Switched power	Capacitive load: 400W@120Vac; 1000W@277Vac Resistive load: 700W@120Vac; 1600W@277Vac
Standby power	<0.5W
Warm time	20s
Detection area	10/30/50/75/100%, can be customized
Hold time	5s/30s/1min/5min/10min/20min/30min, can be customized
Daylight threshold	2~50Lux; disable
Sensor principle	High frequency (microwave)
HF (microwave) frequency	5.8GHz+/-75MHz
HF (microwave) power	<0.2mW
Detection range	Max. (∅xH): 12m x 6m
Detection angle	30°~150°
Mounting height	Max. 6m
Operating temperature	-35°C ~ +70°C
Max. case temperature (Tc)	80°C
IP rating	IP20
Certificate	cULus listed, FCC