

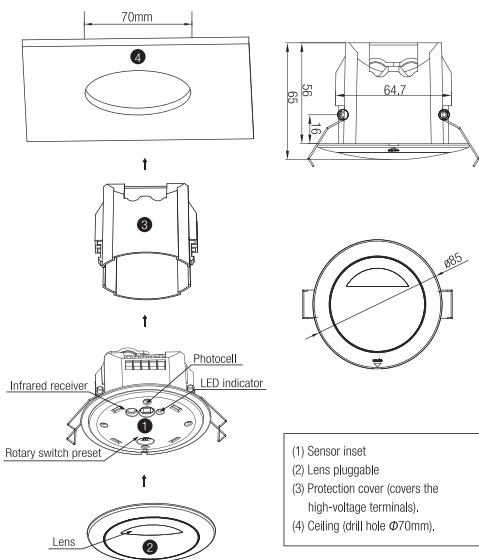
### 1. Technical Specifications

Product type	Daylight harvest microwave motion sensor
Operating voltage	220~240VAC 50/60Hz
Rated load	1600W (resistive); 800VA (capacitive)
Power consumption	< 1W
Detection angle	360°
Detection area (DxH)	12 x 6m (Maximum)
Detection range	10% / 50% / 75% / 100%
Hold time	2s / 30s / 1min / 5min / 10min / 15min / 20min / 30min
Stand-by time	0s / 10s / 1min / 5min / 10min / 30min / 1h / +∞
Stand-by dimming level	10% / 20% / 30% / 50%
Daylight threshold	50 ~ 500Lux, Disable
Warming up time	20s
Operating temperature	-20°C ~ +60°C

### 2. Installation

#### ⚠ Warnings:

1. Installation of the sensor involves connecting it to the mains supply. This work must be carried out by a specialist in accordance with electrotechnical regulations.
2. Disconnect power supply before installing.



Note: We recommend the mounting distance between sensor to sensor should be more than 2m to prevent sensors from false-triggering.

### 3. Rotary Switch Settings

A rotary switch is built inside the sensor for scene selection / fast programming. Total 16 channels available:



Rotary switch preset (Please see the location in 2. Installation)

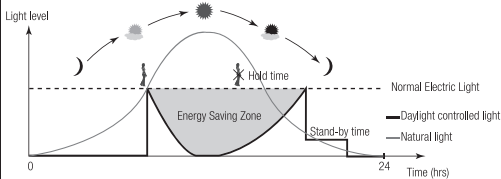
Channel	Detection range	Hold time	Stand-by time	Stand-by dimming level	Daylight threshold
0	100%	5s	10s	10%	Disable
1	100%	1min	5min	10%	50Lux
2	100%	5min	10min	10%	50Lux
3	100%	5min	+∞	10%	75Lux
4	100%	5min	+∞	10%	100Lux
5	100%	5min	+∞	30%	200Lux
6	100%	10min	30min	10%	50Lux
7	100%	10min	+∞	10%	75Lux
8	100%	10min	+∞	10%	100Lux
9	100%	10min	+∞	30%	200Lux
A	100%	20min	1h	10%	100Lux
B	100%	20min	+∞	30%	200Lux
C	100%	30min	+∞	10%	100Lux
D	100%	30min	+∞	30%	200Lux
E	100%	30min	+∞	50%	400Lux
F	100%	5s	10s	10%	100Lux

Note: settings can also be changed by remote control HRC-11. The last action controls.

### 4. Functions

#### 4.1 Daylight Harvest (Daylight Regulating)

Daylight sensor measures the available surrounding natural light, calculates how much electrical light is needed to reach the total lux expected. The demand is given to the LED driver by 1-10V signal, so as to deliver the needed amount of electric light.



#### 4.2 Lux Off Function

The built-in daylight sensor can read ambient natural light and switch off the fixture automatically whenever artificial light is not required (natural light lux level exceeds daylight threshold).

#### 4.3 Semi-auto Function (Absence Detection)

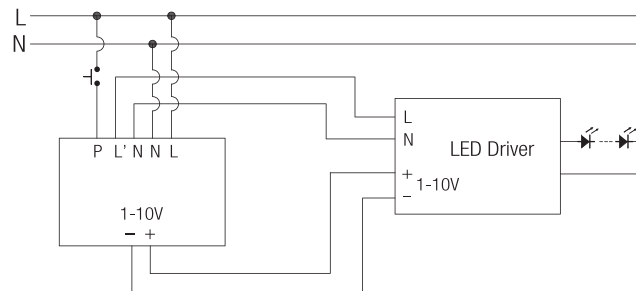
The motion sensor is employed, but only activated on the manual press of the push switch, light keeps on in the presence, dims down in the absence, and eventually switches off automatically in the long absence.

#### 4.4 Manual Override

With the help of push-switch, this sensor may be over-riden by the end-users to switch on/off the lights manually, or adjust the light brightness during motion hold-time. This makes the product more user-friendly and offers more options to fit for extra-ordinary demands.

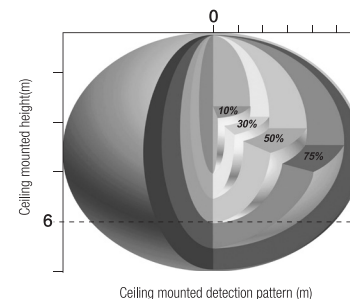
- \* Short push (<1s): on/off function;
- ON → OFF: the light turns off immediately and cannot be lightened for a certain time (equals to hold time preset) even there is movement is detected. After this period, the sensor goes back to auto sensor mode.
- OFF → ON: the light turns on 100% and goes to auto sensor mode, even when ambient Lux level exceeds the daylight threshold.
- \* Long push (>1s): adjust the target lux level by turning the light up or down. Both the adjustment on remote control and push switch can overwrite each other, the last adjustment remains in memory.
- \* If no end-user adjustment is desired, simply leave this terminal disconnected.

### 5. Wiring Diagram



— This product should be installed by a qualified electrician.

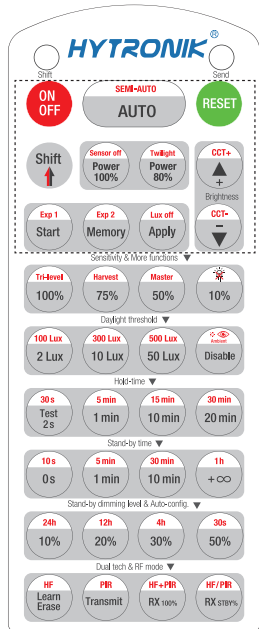
### 6. Detection Pattern



### 7. Trouble Shooting

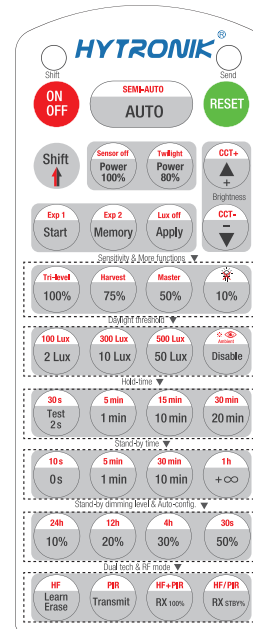
MALFUNCTION CAUSE REMEDY	CAUSE	REMEDY
The fixture does not light up	Incorrect daylight threshold setting	Adjust daylight threshold setting
	Faulty fixture	Replace fixture
	No power supply	Check power to sensor
	Detection zone not targeted	Check detection area setting
The fixture is always on	Continued movement in the detection zone	Check detection area setting
The fixture is on when it should not	Sudden change in temperature due to weather (wind, rain, snow) or air expelled from fans, open windows	Adjust zone, change installation site

## 8. Description of the Button Functions (remote control HRC-11)



HRC-11

	Press button "ON/OFF" to select permanent ON or permanent OFF mode. * Press button "AUTO"/"RESET" to exit this mode.
	Press button "RESET", perform the latest DIP Switch/Rotary Switch settings. *The default settings are: Detection range 100%; Holdtime 5min; Stand-by time +∞; Stand-by dimming level 10%; Daylight threshold 100Lux.
	Press button "Shift", the LED on the top left corner is on to indicate mode selection. All values / settings in RED are valid for 20 seconds.
	Press button "AUTO" to initiate automatic mode. The sensor starts working and all settings remain as before the light is switched ON/OFF;
	1. Press button "Shift", the red LED on. 2. Press button "SEMI-AUTO" to initiate Semi-auto mode. The sensor is only activated with the manual press of push switch. To exit this mode, simply press button "AUTO". <i>For Sensor LED indicator references: Remains on 2s, initiate "Semi-auto" mode from "Auto" mode.</i>
	Press buttons in zone "Power out" to select the light output at 80% (at initial 10,000 hours) or 100%.
	1. Press button "Shift", the red LED on. 2. Press button "Sensor off", the function of movement detection is disabled, the function of photocell is also disabled. To exit from "Sensor off" mode, press button "AUTO"/"SEMI-AUTO"/"RESET".
	This key is not applicable on this product.
	Press these two buttons to adjust the light output brightness and set a new target lux level. The daylight sensor can measure ambient daylight level and ignore the LED light, so as to calculate how much artificial light is needed to maintain the target lux level.
	This key is not applicable on this product.
	1. Press button "Start" to program. 2. Select the buttons in "Detection range", "Daylight threshold", "Holdtime", "Stand-by time", "Stand-by dimming level" to set all parameters. 3. Press button "Memory" to save all the settings programmed in the remote control. 4. Press button "Apply" to set the settings to each sensor unit(s). <i>For example, to set detection range 100%, daylight threshold Disable, hold-time 5min, stand-by time +∞, stand-by dimming level 30%, the steps should be: Press button "Start", button "100%", "Disable", "Shift", "5min", "Shift", "+∞", "30%", "Memory". By pointing to the sensor unit(s) and pressing "Apply", all settings are passed on the sensor(s).</i>
	The "Lux off" function is activated as default. When the ambient lux level exceeds the target level continuously for more than 5 minutes, the lights will be turned off.  In AUTO /SEMI-AUTO/Twilight modes, to disable "Lux off": 1. Press "Shift" button first, the red LED on. 2. Press "Lux off" button, the "Lux Off" function will be deactivated. The lights will not turn off even when the ambient lux level exceeds the target lux level but will dim down the brightness to the stand-by time level. <i>For Sensor LED indicator references: 1.Fast flash 1s, "Lux off" function activated. 2.Remains on 2s, "Lux off" function deactivated.</i>
	"Exp" refer to Expansion, these two buttons are reserved functions and pending future development.



HRC-11

Sensitivity & More functions	
100% 75% 50% 10%	In AUTO /SEMI-AUTO modes, press buttons in zone "Detection range" to set detection range at 100%/75%/50%/10%.
Tri-level Harvest	This key is not applicable on this product.
Master	This key is not applicable on this product.
Daylight threshold	
2 Lux 100 Lux 10 Lux 300 Lux 50 Lux 500 Lux Disable	Press buttons in zone "Daylight threshold" to set daylight sensor at 2Lux/ 10Lux / 50Lux / 100Lux / 300Lux/500Lux / Disable. <i>Note: To set daylight sensor at 100Lux / 300Lux/500Lux, press "Shift" button first.</i>
	1. Press button "Shift", the red LED on. 2. Press button "Ambient", the surrounding lux level is sampled and set as daylight threshold / target lux level.
Holdtime mode	
Test 30s 2s 1min 5min 10min 15min 20min 30min	In AUTO /SEMI-AUTO modes, press buttons in zone "holdtime" to set the holdtime at 2s / 30s / 1min / 5min / 10min / 15min / 20min / 30min. <i>Note: 1. To set holdtime at 30s / 5min / 15min / 30min, press "Shift" button first. 2. 2s is for testing purpose only, standby period and daylight sensor settings are disabled in this mode. *To exit from Test mode, press button "RESET" or any button in "HoldTime".</i>
Stand-by time mode	
1min 10s 10min 5min 0s 30min +∞ 1h	Press buttons in zone "stand-by time" to set the stand-by period at 0s / 10s / 1min / 5min / 10min / 30min / 1h / +∞. <i>Note: 1. To set stand-by time at 10s/ 5min / 30min / 1h, press "Shift" button first. 2. "0s" means on/off control; 3. "+∞" means bi-level control, the fixture is 100% on when there is motion detected, and remains at the stand-by dimming level when no presence after motion hold-time. Only when the stand-by time is set in "+∞" and the ambient lux level is below the target lux level, the lux will auto-on.</i>
Stand-by dimming level & Auto-config.	
10% 20% 30% 50%	Press the button in zone "stand-by dimming level" to set the stand-by dimming level at 10% / 20% / 30% / 50%.
24h 12h 4h 30s	1. Press button "Shift", the red LED on. 2. Select a time period and the sensor will do light level measurement and determine/save the lowest light level (commission line) with 100% light on, so as to set the target lux level automatically. <i>Note: 1. Make sure the light level measurement covers the night time. 2. The fixture will go into sensor mode after the measurement, all sensor setting remain unchanged.</i>
Dual tech & RF mode	
Learn Erase Transmit	This key is not applicable on this product.
RX 100% RX 50%	This key is not applicable on this product.
HF PR HF+PR HF/PR	This key is not applicable on this product.