

## HDP04

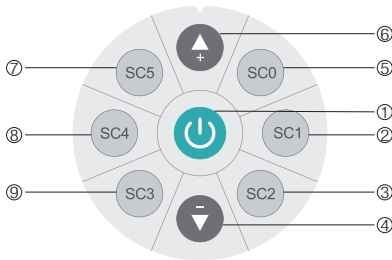
## System DALI Panel (Scene Controller)

HDP04 is a scene controller designed for use in DALI systems under separate power supply and master control. 6 one-touch scene recall memories are available for great flexibility in environments such as hotel rooms, classrooms and conference rooms where it is desirable to accent the light according to task. Simple group assignment to any of the 16 channels is made using rotary switch.

### Technical Specifications

Product type	DALI panel controller
Operating voltage	9.5~22.5VDC
operating current	6mA
Operating temperature	-20°C ~ +55°C
IP rating	IP20
Warm-up time	3s

### Functions and Operations



#### OFF and Nightlight Function

1. OFF: short press button ① to turn the light OFF. The last scene selected (light level) is saved.

Note: The light can also be turned on by short press on any scene button (②/③/④/⑤/⑥).

2. Nightlight: long press (>2s) on button ①, the nightlight goes to permanent on mode; long press again to turn it off. Nightlight brightness level can be adjusted by long press on button ① for more than 5s.

Default setting can be restored by a long press (2s) on button ⑥.

#### Scene Selection

Press button ②/③/④/⑤/⑥ to select light scenes. PLEASE NOTE The light levels of the DALI drivers need to be pre-programmed via any DALI master programming tool.

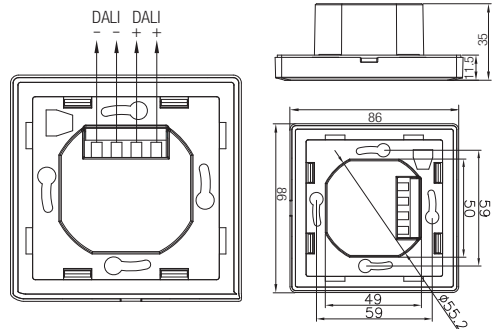
Different applications may have different scene selections:

\* Office: Energise /Relax & Ease /Coffee /Lunch-break /Snooze /Nightshift

\* Meeting Room: Meeting /Presentation /Relax /Display /Whiteboard /Stage

\* Home: Breakfast /TV /Dinner /Cosy /Housework /Reading

The brightness of the scene selected can be quickly adjusted by long press (>1s) on button ② and ⑥. This one-time adjustment will not be saved in the scene.



### Group Control

The DALI panel can control the lights grouped in DALI system via the rotary switch. Total 16 channels available on the rotary switch. "0" is for broadcast, and the rest 15 channels are for end-user to define the application unit(s). The panel can only send out command and cannot take command from DALI master.

The rotary switch channel is corresponding to the groups listed below:



Point the arrow to choose group by using a screwdriver.

Switch channel	DALI group	Switch channel	DALI group
0	broadcast	8	group 7
1	group 0	9	group 8
2	group 1	A	group 9
3	group 2	B	group 10
4	group 3	C	group 11
5	group 4	D	group 12
6	group 5	E	group 13
7	group 6	F	group 14

### Memory Function

The panel has built-in permanent memory against power failure. The light scene keeps the same as it was switched off last time.

### Wiring Diagram

