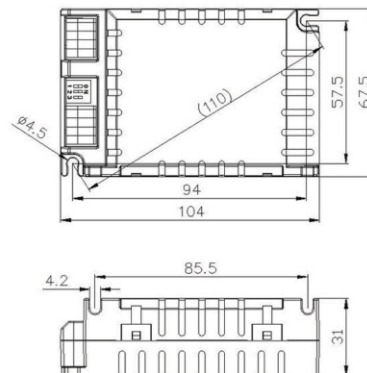
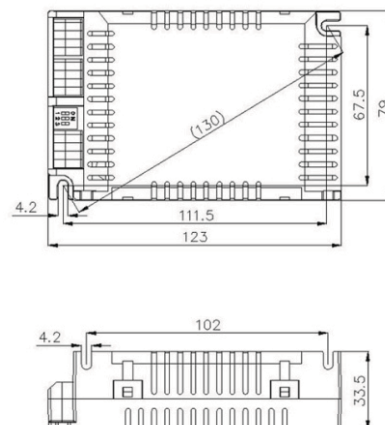


Non-dimmable, multi-current LED driver

HYTRONIK has a wide range of constant current LED drivers to meet the increasing need of LED lighting. Those drivers include: standard non-dimmable multi-current LED driver



Model: HE1030, 1X30w



Model: HE1050, 2X25w

This multi-current LED driver has covered all available current in the market. The current can be easily configured by choosing the correct combination of the DIP switches--

	1	2	3	Current
I	○	○	○	250mA
II	●	○	○	350mA
III	○	●	○	400mA
IV	○	○	●	450mA
V	●	●	○	500mA
VI	●	○	●	550mA
VII	○	●	●	600mA
VIII	●	●	●	700mA



Warning: please make sure the correct current is selected before switching on the driver!!! (Over-current may cause serious damage to the LED, while under-current does not give the full light output of the LED.)

Specification	Model HE1030, 1x35w	Model HE1050, 2x25w
Rated voltage	220-240VAC 50/60Hz	220-240VAC 50/60Hz
Rated current	0.25A(Max)	0.25A(Max)
Rated power	36W(MAX)	2x28W(MAX)
Output voltage	60VDC(max)	60VDC(max)
Operation frequency	320kHz \geq f \geq 50kHz	320kHz \geq f \geq 50kHz
Power factor	\geq 0.90	\geq 0.90
Operation temperature	Ta: 50 $^{\circ}$ C Tc: 75 $^{\circ}$ C	Ta: 50 $^{\circ}$ C Tc: 75 $^{\circ}$ C
Output current / load	250mA(1-16pcs) 350mA(1-16pcs)400mA(1-16pcs) 450mA(1-13pcs) 500mA(1-12pcs)550mA(1-11pcs) 600mA(1-10pcs) 700mA(1-10pcs)	250mA(1-16pcs) 350mA(1-16pcs)400mA(1-16pcs) 450mA(1-13pcs) 500mA(1-12pcs)550mA(1-11pcs) 600mA(1-10pcs) 700mA(1-10pcs)
Max. Efficiency	\geq 86%	\geq 86%
Abnormal protection	Output short-circuit protection with auto-reset.	Output short-circuit protection with auto-reset.
Over-heat protection	Over-heat protection with auto-reset.	Over-heat protection with auto-reset.
EMC standard	EN55015 EN61547	EN55015 EN61547
Safety standard	EN61347-1, EN61347-2-13	EN61347-1, EN61347-2-13
Certification	SEMKO, CE , EMC	SEMKO, CE , EMC
Dielectric strength	Input \rightarrow output: 3750VAC input \rightarrow ground 1800VAC Output \rightarrow ground 500VAC all with 5mA/1min	Input \rightarrow output: 3750VAC input \rightarrow ground 1800VAC Output \rightarrow ground 500VAC all with 5mA/1min
IP grade	IP20 built-in type	IP20 built-in type